



Nu/Clean

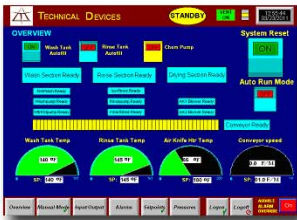
Inline Aqueous Cleaners



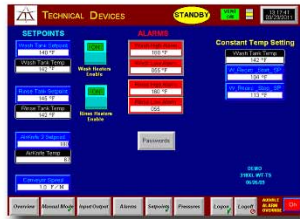
TECHNICAL DEVICES COMPANY

American Made Manufacturing Equipment Since 1952

Since 1952, **TECHNICAL DEVICES COMPANY** has been providing the electronics manufacturing industry with quality production equipment. Our cleaners are **MADE IN AMERICA** by highly skilled workers who take pride in what they do. We strive to remain on the cutting edge of cleaning technology by constantly adding new features and diligently improving existing features. This is why the **Nu/Clean Inline Aqueous Cleaners** are continually among the safest, most effective, and most energy efficient cleaners available.



Home Screen



Set Points Screen



Alarms Screen

TOUCHSCREEN CONTROLS

Intuitive touchscreen controls make the Nu/Clean Inline Aqueous Cleaners easy for operators to use. Robust Windows based software controls and monitors cleaner functions. Password Controls and Recipe Storage allow engineers to maintain control of production. With optional remote viewing, process control personnel can keep an eye on real time production.

CONVEYOR SYSTEMS

Technical Devices Company has long been an industry leader in tailoring our equipment to the specific needs of our customers. Our single or dual belt conveyors systems are customizable to your specific product needs. We offer various pitch and mesh sizes -- as well as flights, pockets, and special belt coatings.

Our innovative Silencing Shroud technology makes the Nu/Clean Inline Aqueous Cleaner the quietest in the industry.



Conveyor Belt



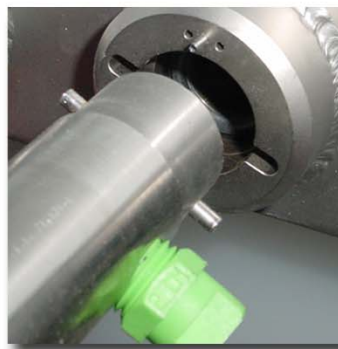
Silencing Shroud

QUICK DISCONNECT SPRAY BARS & INTERCHANGABLE NOZZLES

The Quick Disconnect design on the spray bars in the Nu/Clean Inline Aqueous Cleaners, make it a simple process to remove and replace spray bars for different applications or to perform regular maintenance.



Quick Disconnect: Turn the bar, align the pins, and easily remove the spray bar.



Dozens of different nozzle types and sizes are available for use in the Nu/Clean. This flexibility makes it easy to optimize the cleaning process for various types of products -- from low stand off PCBs to glass lenses to helicopter blades!

CHEMISTRY CONSERVATION

The Nu/Clean Inline Aqueous Cleaners have many design features to limit the amount of chemistry loss. The use of Air Curtains on either side of the wash stage helps contain the chemistry. Isolation stages prevent chemistry from contaminating the rinse water. Our innovative exhaust system minimizes chemistry vapor loss throughout the cleaner.



Air Curtain Zone



Double Air Curtain and Anti-Dragout Zone

PUMPS & PLUMBING

Each of the stainless steel pumps used in the Nu/Clean Inline Aqueous Cleaners is selected based on achieving the right balance of pressure and flow. We use Stainless Steel plumbing on the pressurized side of the pumps. Everything is clearly labeled to make operation and maintenance easy.



Stainless Steel Plumbing and Pressure Gauges

BLOWERS & DRYING

Our blowers slide out for easy access. We use high efficiency blowers that provide the maximum results with the least amount of power consumption.



3 Slide Out Blowers



IR Tunnel Drying Section

Our new IR heater tunnel, available only in the 800 series, provides a powerful added drying section for difficult to dry products.

TECHNICAL DEVICES COMPANY offers these optional systems :

HYBRID SYSTEMS

Use Gas instead of electricity from your local electrical company. Save operational costs, get government grants. Be a planet saver!



Gas Hybrid

D.I. WATER TREATMENT

Water Treatment to make you water super clean. We provide the cabinet and the know how you, supply the tanks!



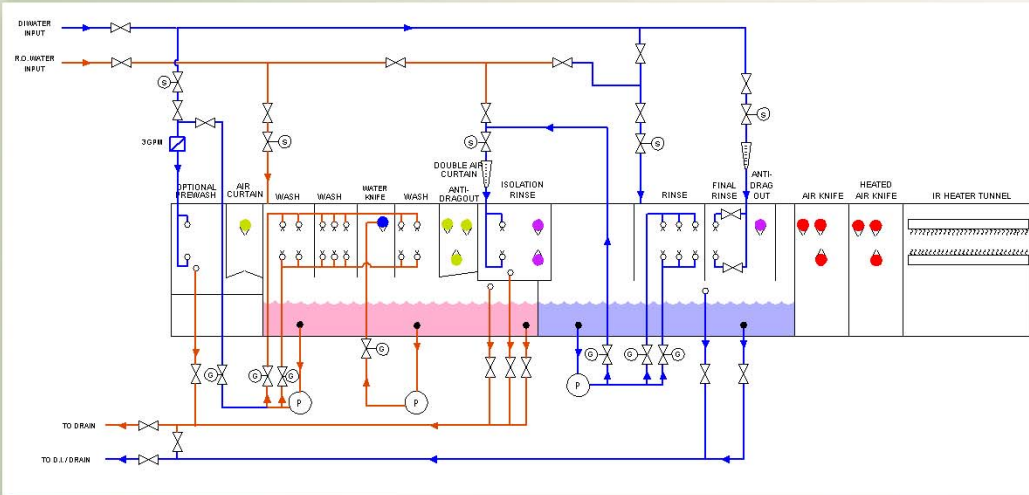
D. I. Water Treatment System

Nu/Clean Inline Aqueous Cleaners

Standard Machine Configurations

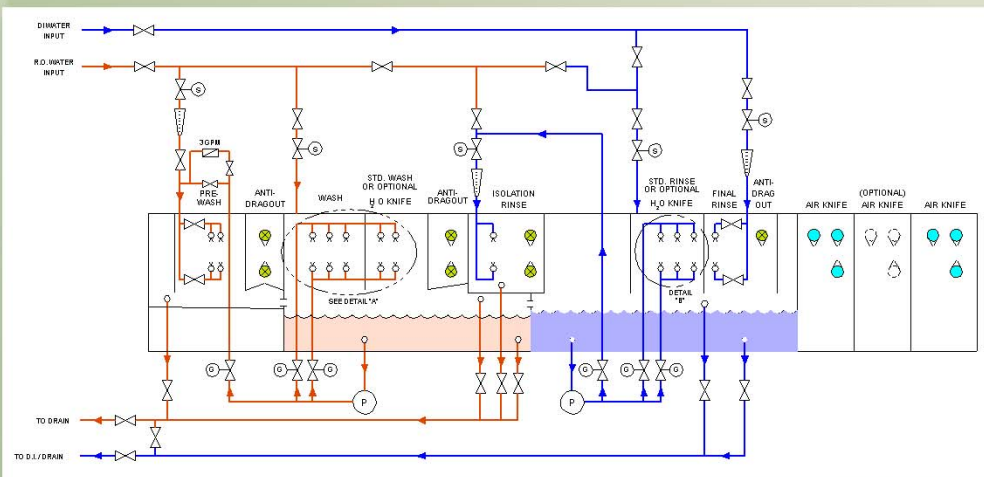
Nu/Clean 800 Series

The Nu/Clean 800 series offers top of the line cleaning. It features incredible wash, rinse, and drying capabilities with plenty of isolation between stages. 15 HP stainless steel pumps give just the right balance of pressure and flow to aid in the removal of residues and contaminants. The Air Curtain and Cascade Water Knife in the wash section minimize any loss of chemistry. The six Air Knives (including three heated) in the cleaner powered by two super efficient blowers **PLUS** the IR Heater Tunnel at the end of the drying section provide optimum drying power.



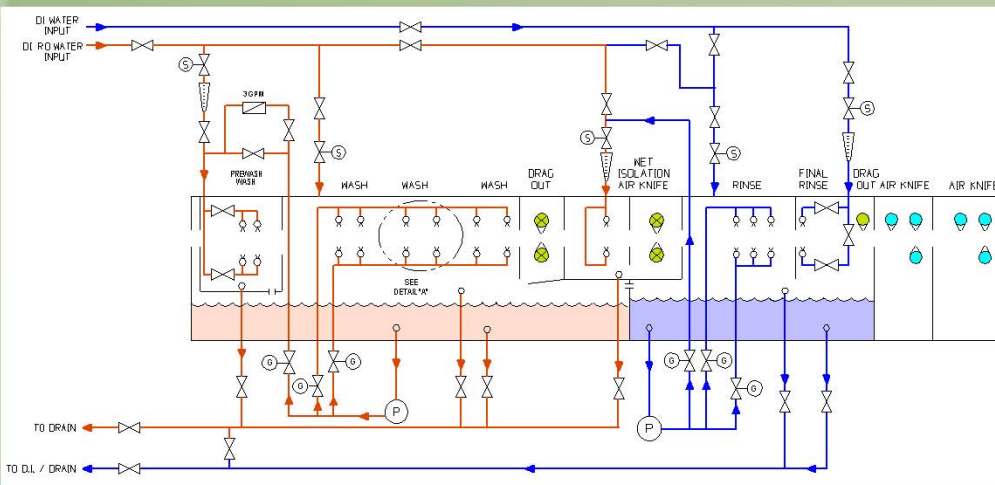
Nu/Clean 600 Series

The Nu/Clean 600 series may be just the right cleaner for your production needs. It has multiple isolation sections to minimize cross over contamination between prewash, wash, rinse, and drying sections. An excellent cleaner for chemistry or water only processes. The drying section comes standard with six Air Knives powered by two super efficient blowers with an option for up to nine Air Knives powered by three super efficient blowers for even more drying power.



Nu/Clean 300 Series

Our most popular model is the Nu/Clean 318 XL and is part of our 300 series. It features a prewash section for the removal of gross contaminants. Followed by a wash section capable of handling chemistry. There is isolation between the wash and rinse sections. A rinse and an even cleaner final rinse make sure any contaminants or residual wash solution are removed from the product. A powerful drying section with two super efficient blowers makes sure product comes out clean and dry everytime.



Contact Us Today for a
Detailed Technical Specification
and Price Quotation

TECHNICAL DEVICES COMPANY
560 ALASKA AVE., TORRANCE, CA 90503
(310) 618-8437

www.TechnicalDev.com

